

3D DESIGNER FOR EDUCATION

3DEXPERIENCE ROLE



OBJECTIVE

3D Designer for Education is a collection of 3DEXPERIENCE® platform roles and apps created for schools, educators, and their students to collaborate seamlessly on a single platform. **3D Designer for Education** provides more than just a CAD modeling tool—the 3DEXPERIENCE platform will change the way educators teach students and how students communicate with their peers.

3D Designer for Education is here to support educators and students by helping them think differently and dream bigger. The technology landscape evolves and changes at a rapid pace, and educational institutions need to keep their educators and students ahead of the curve. **3D Designer for Education** enables the workforce of the future with a suite of cloud-based apps specifically cultivated to prepare them for the workplace of tomorrow.

HIGHLIGHTS

- Unite schools, educators, and students into a single framework for sustainable innovation
- Provides apps to design, refine, organize, manage, and collaborate on content in real time
- Innovate, collaborate, and create great designs anytime, anywhere, from any device—including Macs and mobile devices
- Utilize advanced time-saving features and technology like Artificial Intelligence and Machine Learning
- All in the cloud with zero installation and no extra IT efforts

CAPABILITIES

3D Designer for Education was designed to help educators and students collaborate and organize, while giving them access to the best CAD products available. But it is so much more than just CAD. With the power of the **3DEXPERIENCE** platform, educators and students will enter a new era of educational technology. Educators can utilize the many apps included in **3D Designer for Education** to organize and maintain their classes with customized dashboards, class announcements, dedicated cloud storage for each student class/team, and so much more. Students can connect, design, and learn in new ways, and have the freedom to choose their own devices—even Macs, tablets, and Chromebooks!

Using the cloud-based **3DEXPERIENCE** platform solves several hardware issues, too. Students are now empowered to choose their own device when using the platform, anytime, anywhere. All educators and students need to access the platform is a high-speed internet connection. Schools will no longer have to stretch IT budgets on large software installations and hardware upgrades. With the entire platform in the secure cloud, there is no installation required, no overhead, and no more time spent on annual updates.

WHAT'S INCLUDED WITH 3D DESIGNER FOR EDUCATION

Collaborative Business Innovator*

Collaborative Business Innovator unites schools, educators, and students into a single framework for sustainable innovation. Collaborative Business Innovator includes access to 3DSwym and 3DDashboard, where students and educators can come together in a social media setting to collaborate and share ideas. Educators can organize classes, collect student projects, and more from one single platform.

Collaborative Business Innovator also comes with the 3DDrive app, which provides cloud-based document sharing capabilities, along with 3DSearch and 6WTags for educators and students to organize and search for data across all of the apps on the platform. These tools are perfect for improving collaboration for student team projects.

Collaborative Industry Innovator*

Collaborative Industry Innovator provides apps and tools to organize, manage, and collaborate on content in real time. Using the 3DSpace app, educators and students can create and manage collaborative spaces, add members with different permission levels, and provide access to any stored content. Access to any collaborative space is secure. Data is managed and stored in one unique environment and one single database, providing security and promoting collaboration.

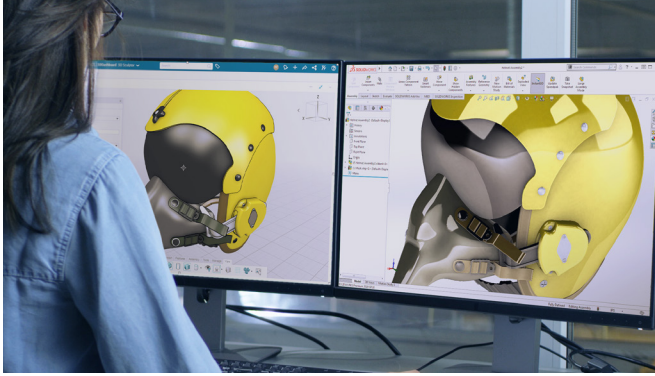
Collaborative Industry Innovator also comes preloaded with best-in-class Product Data Management (PDM) apps, teaching your students valuable data management skills and preparing them for their future workplace.



3D Creator

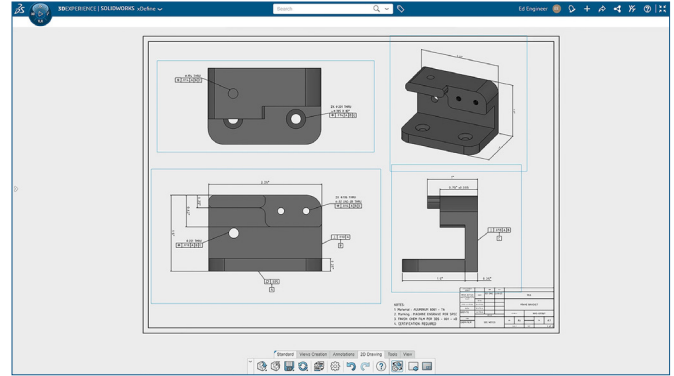
3D Creator is a browser-based 3D modeling solution that enables designers and engineers to create, review, and evaluate 3D models through easy-to-use parametric modeling capabilities. 3D Creator grants access to the xDesign app, which complements SOLIDWORKS 3D CAD with flexible design workflows and a seamless interchange of design data. Educators and students can work together to create all sorts of models, with Design Guidance powered by Artificial Intelligence. Also included is the helpful Design Assistant feature, powered by machine learning, to instantly complete repetitive tasks like sketches, fillets, chamfer and more.

*Separate purchase required to use 3D Designer.



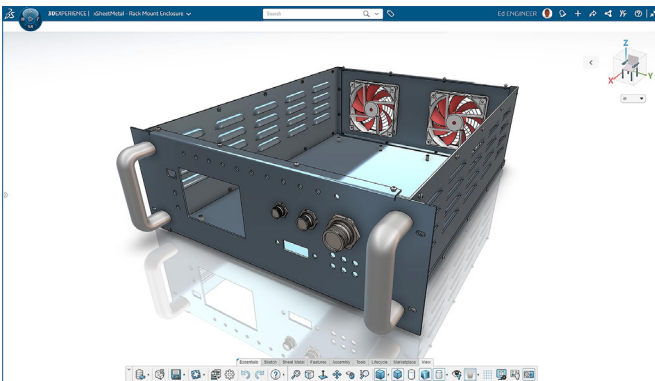
3D Sculptor

3D Sculptor is a 3D subdivision (sub-d) modeling tool that enables current and future industrial designers, engineers, and artists to create ergonomically stylized or organically shaped models faster and more easily than traditional parametric tools. 3D Sculptor introduces users to the xShape app, which complements the parametric workflows of SOLIDWORKS® 3D CAD with intuitive push-pull subdivision modeling and seamless interchange of design data.



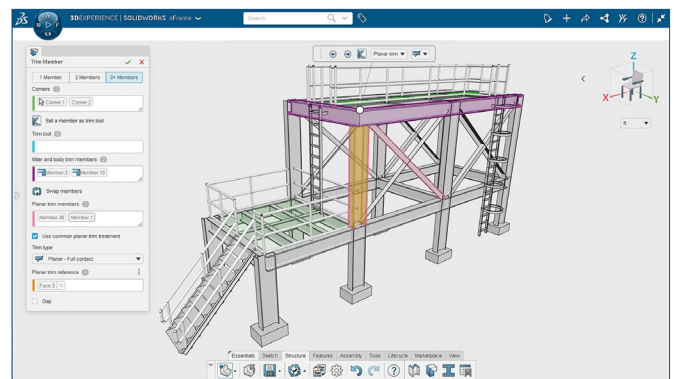
Manufacturing Definition Creator

Manufacturing Definition Creator is a browser-based solution that enables you to define products in a more integrated, flexible, and intelligent way. It combines model-based and drawing-based capabilities in one integrated solution. Leverage model-based workflows to create a single source of truth between 2D and 3D definition with annotations, dimensions, and tolerances that always stay up-to-date and synchronized across both forms of definition. Easily define 3D models and quickly produce 2D drawings from them in a matter of mouse clicks. The combination of 2D and 3D definition capabilities delivers next-generation flexibility, empowering you to choose the best output for the job.



3D SheetMetal Creator

3D SheetMetal Creator is a browser-based modeling tool that provides a focused user experience tailored specifically for designers and engineers to bring sheet metal components and enclosures to life. Validate designs early with an instant flat pattern tool, highlighting any manufacturing issues. Easily create industry-standard joints in a click, and automate repetitive tasks with help from the design Assistant, using machine learning technology.

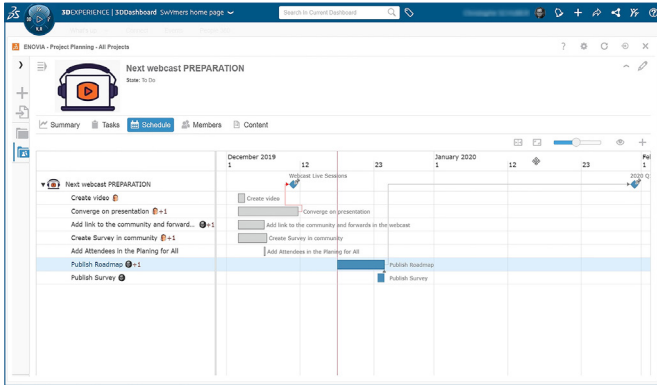


3D Structure Creator

3D Structure Creator is a browser-based modeling tool that provides users with associative feature-based frame design tools for every stage in the design process—from conceptual design to generating manufacturing information. With an included profile library of standard types and sizes, create members based on model edges, 2D sketch elements, or curves. Once your design is complete, generate a cutlist for fastest fabrication.

3D Mold Creator

3D Mold Creator provides dedicated mold tooling design functionality that enables faster, automated and more robust design of mold core, cavity and inserts geometry. Quickly check for draft and issues, and make model edits as required. Automatically determining that parting line, create shutoff and parting surfaces, and much more.



Project Planner

Project Planner allows educators and students to stay on track and meet project deadlines with easy-to-use task planning, execution, and monitoring, all in a flexible collaborative environment. This app is a must-have for team projects. It enables team members to collaborate and rapidly define and refine goals, see project status and complete their activities and deliverables—all in real time—to meet key milestones and delivery dates. With an integrated commenting tool and linked cloud storage, team projects and planning couldn't be easier.

SOLIDWORKS Connector

SOLIDWORKS Connector allows SOLIDWORKS Desktop and the 3DEXPERIENCE Platform to communicate bilaterally in either direction. If a school is already using SOLIDWORKS desktop, they can connect existing projects seamlessly to the Platform, introducing features and workflows beyond SOLIDWORKS desktop capabilities. The best of both worlds at your fingertips—the choice is yours.

CAPABILITIES OF THE 3DEXPERIENCE PLATFORM

With its growing app portfolio and secure cloud technology, the 3DEXPERIENCE platform enables you to manage all facets of your product development process while reducing infrastructure costs, IT overhead, software maintenance, and complexity. All 3DEXPERIENCE solutions work together seamlessly making data management, sharing, and collaboration easy. 3D Designer can take advantage of the following platform capabilities:

- View, share, annotate, discuss, and manage designs from anywhere, at any time, and on any device with a web browser.
- Avoid rework and data translation errors through seamless interaction with SOLIDWORKS 3D CAD and other 3DEXPERIENCE design tools such as 3D Sculptor.
- Enable design and engineering students to collaborate more closely through a seamless connection with SOLIDWORKS 3D CAD.
- Collaborate with all internal and external team members through cloud-based dashboards, messaging, activity streams, communities, and drag-and-drop task management.
- Securely manage your data and all facets of your product development process on the platform.
- Control revisions with specialized tools, cementing industry best practices to use after graduation.

Learn more about these and other capabilities of the platform at: www.solidworks.com/3dexperience-works.

Our 3DEXPERIENCE® platform powers our brand applications, serving 12 industries, and provides a rich portfolio of industry solution experiences.

Dassault Systèmes, the 3DEXPERIENCE® Company, provides business and people with virtual universes to imagine sustainable innovations. Its world-leading solutions transform the way products are designed, produced, and supported. Dassault Systèmes' collaborative solutions foster social innovation, expanding possibilities for the virtual world to improve the real world. The group brings value to over 220,000 customers of all sizes in all industries in more than 140 countries. For more information, visit www.3ds.com.

